



DIESEL FORKLIFT FD300



Hunan Kamuja Machinery & Equipment Co.,Ltd



A Certificated Company of GB/T 19001-2016
ISO 9001:2015

INTRODUCTION

Heavy duty forklift series FD, with many years of design and manufacturing experience, advanced technology. Products are widely used in logistics, stone processing, ports and terminals, and exported to foreign countries.

FEATURES

- ① The engine adopts a turbocharged engine with low fuel consumption, which has good power performance and large torque reserve.
- ② The braking system adopts the mature products of the manufacture. The brake is a disc brake, with fast heat dissipation, light weight, simple structure and convenient adjustment. It has good high temperature resistance performance under high load and stable braking effect.
- ③ The gearbox adopts domestic brand gearbox, which has good driving performance and traction performance. It is easy to maintain, economical and applicable, the accessories have good versatility.
- ④ The operating system adopts the pilot valve to control the working system. Simple, convenient and comfortable operation. While reducing the labor intensity of the driver, the work efficiency is improved.
- ⑤ Hydraulic system, double pump confluence, small system flow, low power consumption, stable performance.
- ⑥ The electrical system is equipped with maintenance-free batteries. Flame retardant wire and sheath, electrical components.
- ⑦ The cab is luxurious with shock absorption, equipped with sunroof, heating and cooling air conditioner, wide field of vision and comfortable seat. With explosion-proof film, explosion-proof, heat insulation. Anti-glare, sound insulation.
- ⑧ The fork adopts high-strength, mature products of the manufacturer, which can double the service life.
- ⑨ Tire rim, no spoke steel rim, bear heavy load. Puncture-resistant high-strength tires.
- ⑩ Reinforced drive axle, high-strength heavy-duty planetary wheel-side reduction drive axle. The axle housing has higher strength and greater bearing capacity. With the stability and stability.

HUNAN KAMUJA MACHINERY & EQUIPMENT CO.,LTD.

Room 818, 4th Floor, Chang Tong Logistic Center, No.18 Qingzhuhu Road, Changsha, Hunan, China

Tel: +86 0731 88677248 alvaro.jin@kamuja.cn www.kamuja.cn



Certificated Company of GB/T 19001-2016/ISO 9001:2015

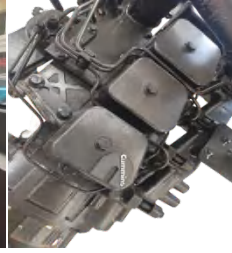
DETAILS



Side Shifter(Optional)



Cab & AC



Cummins Motor



LED Lights



Vehicle Lights



Alarm & Lights

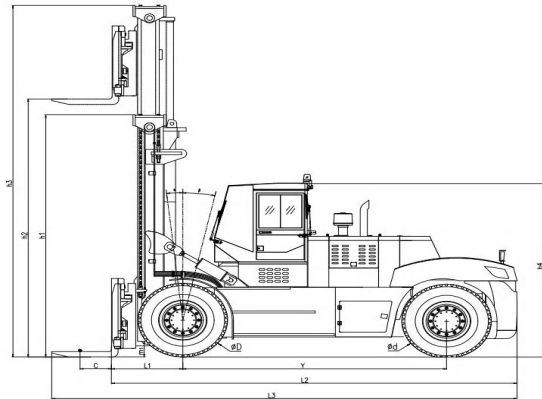
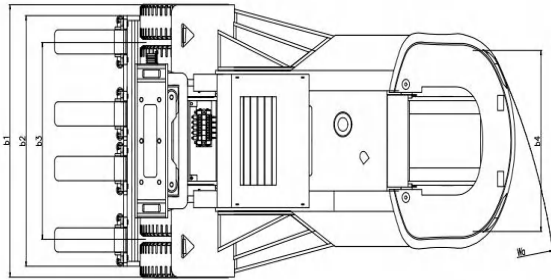


Joystick

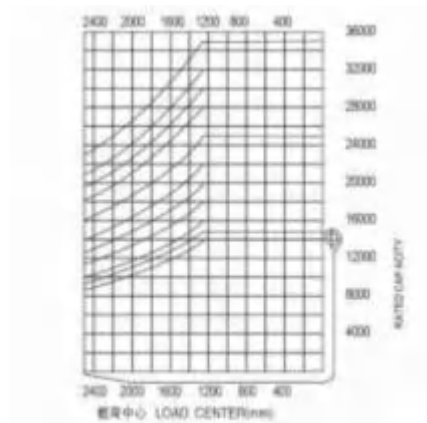


Digital Monitor

OVERALL



CAPACITY CHART



HUNAN KAMUJA MACHINERY & EQUIPMENT CO.,LTD.

Room 818, 4th Floor, Chang Tong Logistic Center, No.18 Qingzhuhu Road, Changsha, Hunan, China

Tel: +86 0731 88677248 alvaro.jin@kamuja.cn www.kamuja.cn



Certificated Company of GB/T 19001-2016/ISO 9001:2015

OPTIONAL ATTACHMENTS



Multi-functional soft bag clip



Brick clamp



Roll clip



String rod



Trash clip



Push-puller



Side shifter



Carton holder

Optional Devices and Accessories

- Tilt cylinder jacket
- Dual drive wheel
- Cab
- Overhead exhaust device
- User specified color
- Cab heater
- Rear working light
- Alarm lamp
- Solid tyre
- Middle exhaust device
- Exhaust fire protection
- Suspension seat
- Weighing system
- Auxiliary hydraulic valve assembly
- Extinguisher
- Copper water tank
- LED rear light
- Double air filter

Optional Fittings

- Roll clip
- Rotate the flat clamp
- Load stabilizer
- Multi-purpose bucket clamp
- Soft clip
- Can clip
- Miter clamp
- Boom
- String rod
- Side yoke
- Swivel fork
- Fork extension cover
- Load ejector
- Carton clip
- Position ejector
- Bucket
- Lifting hook
- Extended fork

Special Equipment for Mast

- Wide view full free Stage II Mast
- Wide field of view full free Stage III Mast
- Special fork

HUNAN KAMUJA MACHINERY & EQUIPMENT CO.,LTD.

Room 818, 4th Floor, Chang Tong Logistic Center, No.18 Qingzhuhu Road, Changsha, Hunan, China

Tel: +86 0731 88677248 alvaro.jin@kamuja.cn www.kamuja.cn



Certificated Company of GB/T 19001-2016/ISO 9001:2015



SPECIFICATIONS

Item	Specification	Unit	FD300
Features	Rated Load	kg	30000
	Load center	C mm	1250
	Wheelbase	Y mm	4800
Weight	Weight	kg	38000
Chassis	Tire Specs:Front		14.00-24-32PR
	Tire Specs:Rear		14.00-24-32PR
	Tire Qty,front/rear(X-drive wheels)		4/2
	Wheel tread:Front	b3 mm	2430
	Wheel tread:Rear	b4 mm	2230
Dimensions	Mast/carriage tilt angel(front/rear)	$\alpha\beta$ Degree(*)	6/12
	Mast height(front lowering)	h1 mm	4150
	Mast lifting height	h2 mm	4000
	Max.height	h3 mm	6120
	Height to head guard(height to cab)	h4 mm	3460
	Overall height (with forks)	mm	9760
	Fork front vertical surface to the rear end of the vehicle	L2 mm	7360
	Overall width	b1 mm	3360
	Fork dimension	L4 mm	2400*320*120
	Fork carriage width	b2 mm	3000
	Mast min ground (with load)	m1 mm	400
	Wheelbase center min ground (with load)	L1 mm	460
	Min.turning Radius	Wa mm	6900
	Travel speed(with load/w/.o load)	Km/h	25/28
Performance	Mast.lifting speed (w/. load/w/.o load)	Mm/s	260/280
	Traction	KN	200
	Gradeability (w/.w/.o load)	%	20/22
Engine	Engine brand/model	Emission II	Cummins6CTA8.3-C260 8.3L194kw 2200rpm/min
		Emission III	CumminsQSC8.3-C260 8.3L194kw 2200r/min
		Rated	178(Kw)
		Cylinder	6
Others	Transmission gears(Front/rears)		2/1

※ The technical information may vary by the update policy, the changes will be without prior notice.

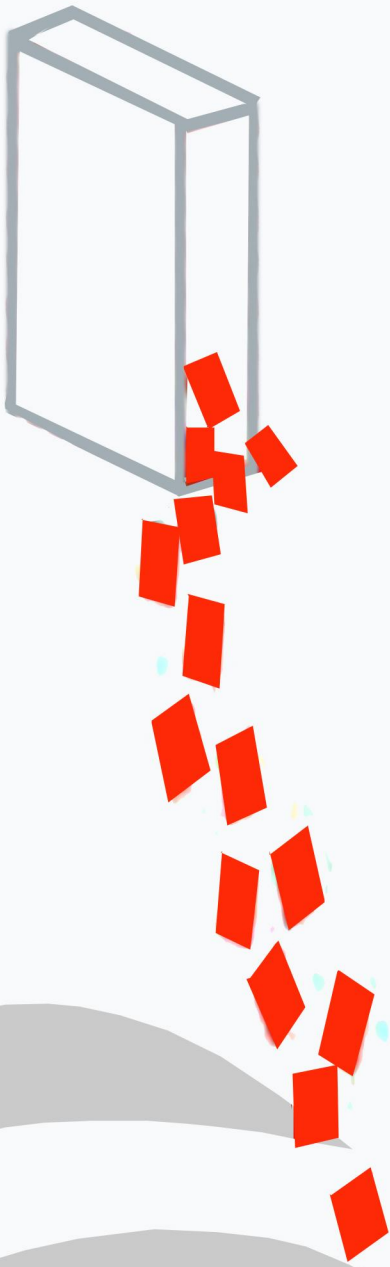
HUNAN KAMUJA MACHINERY & EQUIPMENT CO.,LTD.

Room 818, 4th Floor, Chang Tong Logistic Center, No.18 Qingzhuhu Road, Changsha, Hunan, China

Tel: +86 0731 88677248 alvaro.jin@kamuja.cn www.kamuja.cn



Certificated Company of GB/T 19001-2016/ISO 9001:2015



Hunan Kamuja Machinery & Equipment Co.,Ltd

Address: Qingzhu Hu Road N.18, Chang Tong Logistic Center Floor 4 Room 818,
Jinxia Economic Development Zone, Changsha City, Hunan Province, P.R of China.

333 SE 2nd Avenue Suit 2000 Miami FL 33131. USA

Tel: +86 731 8867 7248 e-mail: info@kamuja.cn

Web site: www.kamuja.cn



A Certificated Company of GB/T 19001-2016/
ISO 9001:2015